

### INDEX

- ◆ TOOLS REQUIRED -----2
- ◆ ACCESSORIES REQUIRED ----- 2
- ◆ APPLICABLE MODEL | IC HOUSING, NC HOUSING, RM HOUSING ----- 3
- ◆ PREPARATION | MEASURE BEFORE YOU CUT ----- 3
- ◆ PREPARATION | DETERMINE HOUSING MOUNTING METHOD -----4
- ◆ PREPARATION | REMOVE KNOCK-OUT -----4
- ◆ STEP 1 | HANGER BAR ADJUSTMENT ----- 5
- ◆ STEP 2 | SECURE HANGER BARS -----5
- ◆ STEP 3 | SECURE SYSTEM -----6
- ◆ STEP 4 | POSITION MEASUREMENT ----- 6
- ◆ STEP 5-A | ELECTRICAL CONNECTION
  - IC HOUSING ----- 7
  - NC HOUSING WITH FIXED JUNCTION BOX -----7
  - NC HOUSING WITH REMOVABLE JUNCTION BOX ----- 8
  - RM HOUSING ----- 8
- ◆ STEP 5-B | WIRING DIAGRAMS -----9
- ◆ STEP 6 | CEILING CUTOUT + INSTALLATION
  - CEILING OR TILE INSTALLATION ----- 10
  - COLLAR INSTALLATION FOR TRIMLESS MODELS -----10
  - FOR TRIMLESS ----- 10
- ◆ STEP 7-A | MODULE CONNECTION ----- 12
- ◆ STEP 7-B | MODULE INSTALLATION (STANDARD TRIM) ----- 12
- ◆ STEP 7-C | MODULE INSTALLATION (TRIMLESS) ----- 13
- ◆ STEP 7-D | MODULE INSTALLATION (A1 MODULE) ----- 14
- ◆ STEP 8 | OPTIC AND MEDIA INSTALLATION OR REPLACEMENT ----- 15
- ◆ STEP 9 | LIGHT BEAM ADJUSTMENT & REFLECTOR INSTALLATION -----16

**READ AND FOLLOW ALL SAFETY INSTRUCTIONS! SAVE THESE INSTRUCTIONS AND DELIVER TO OWNER AFTER INSTALLATION.**

**⚠ WARNING: RISK OF ELECTRIC SHOCK**

- Before installation or servicing DISCONNECT POWER BY TURNING OFF THE CIRCUIT breakers both to the outlet box and to its associated wall switch.
- Installation and service of luminaires should be performed by a qualified licensed electrician in accordance with all local and National Electrical Codes.
- Do not install damaged product
- Verify that supply voltage is correct by comparing it with the luminaire label information.
- All wiring connections should be capped with UL approved recognized wire connectors.

**⚠ WARNING: RISK OF INJURY**

- Allow luminaire to cool before servicing.
- Follow all manufacturer's warning and restrictions for driver type, mounting locations, replacement and recycling.
- Wear safety glasses and gloves when installing, maintaining or servicing.
- Avoid direct eye exposure to the light source while it is on.

**⚠ WARNING: RISK OF FIRE**

- Do not separate any other wires that may be in the box.
- Do not damage the insulation of older wiring.
- In regular circumstances the BLACK wire will be the "Hot" lead and the WHITE wire will be the "Neutral" or "Common" lead. A GREEN or BARE COPPER wire is "Ground". In older buildings, it is always good practice to reconfirm the polarity of the wiring.

**⚠ RISK OF PRODUCT DAMAGE**

- Never connect components under load.
- Do not touch the yellow surface of the LED as it may damage the light engine.

### ◆ TOOLS REQUIRED



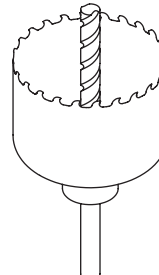
Screw Driver  
Flat Head



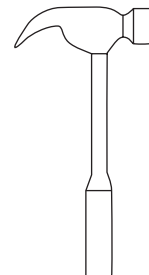
Screw Driver  
#1 Philips



Screw Driver  
#2 Philips

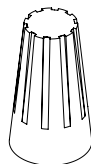


Hole Saw  
(Or Speed Router)



Claw Hammer

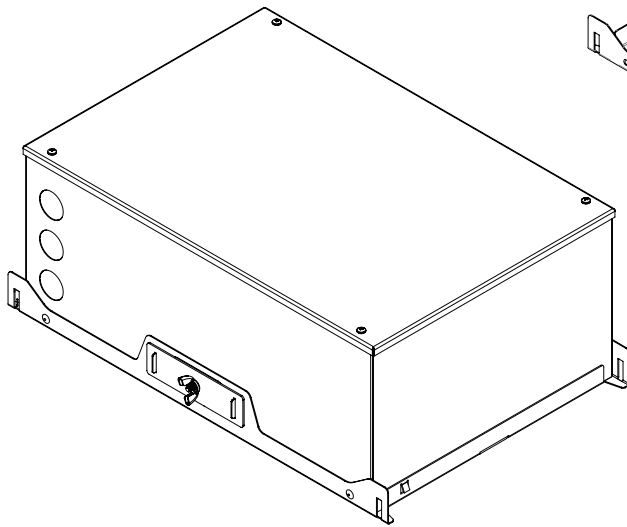
### ◆ ACCESSORIES REQUIRED



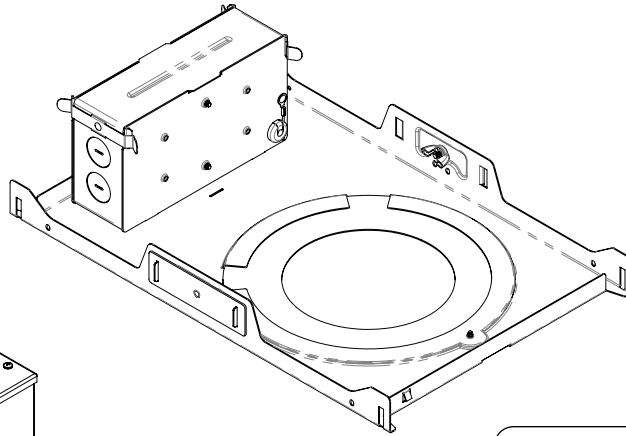
Electrical Wire Nut

### ◆ APPLICABLE MODEL | IC Housing, NC Housing, RM Housing

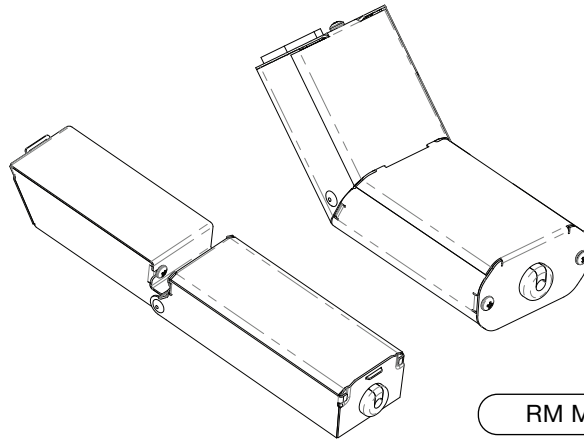
- IC (New Construction IC Housing)
- NC (New Construction Housing)
- RM (Remodel Housing)



**IC Model**  
New Construction IC Housing



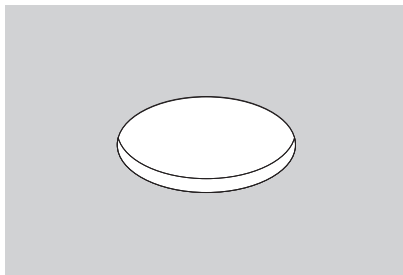
**NC Model**  
New Construction Housing



**RM Model**  
Remodel Housing

### ◆ PREPARATION | Measure Before You Cut

- Consult the ceiling cutout table below to determine your application ceiling cutout requirements.



**Flanged Trim Ceiling Cutout Table  
(IC, NC, RM Housing)**

Model	1 Inch A1-IC, A1-NC, A1-RM	2 Inch A2-IC, A2-NC, A2-RM	3 Inch A3-IC, A3-NC, A3-RM	4 Inch A4-IC, A4-NC, A4-RM
Cutout Size Round	Ø 2½" (Ø 63 mm)	Ø 3½" (Ø 89 mm)	Ø 4½" (Ø 114 mm)	Ø 5½" (Ø 140 mm)
Cutout Size Square	2½" x 2½" (63 x 63 mm)	3½" x 3½" (89 x 89 mm)	4½" x 4½" (114 x 114 mm)	5½" x 5½" (140 x 140 mm)

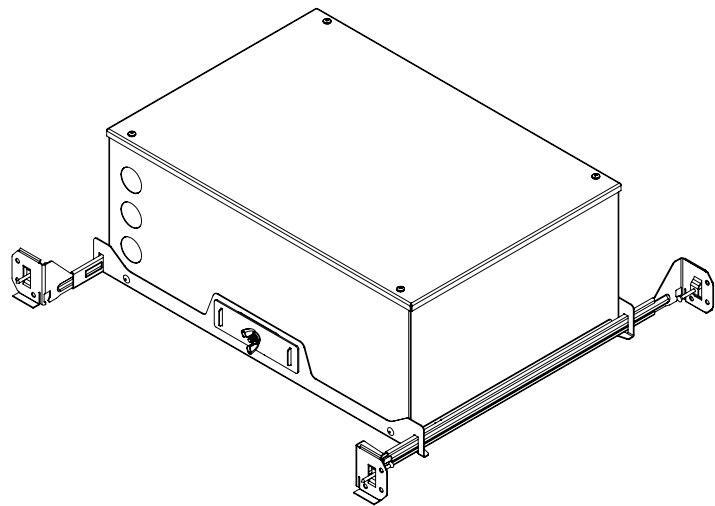
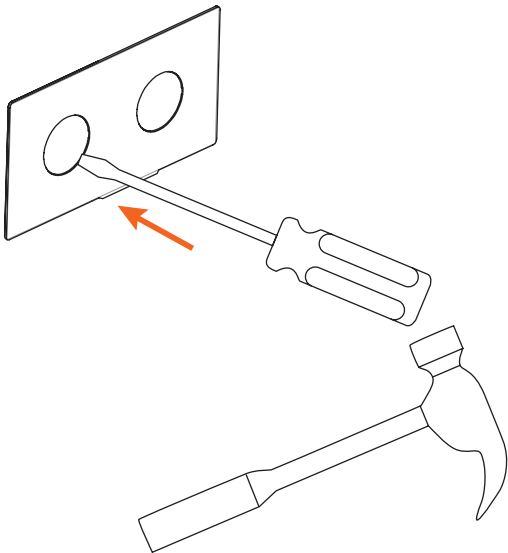
## PREPARATION

## ◆ PREPARATION | Determine Housing Mounting Method

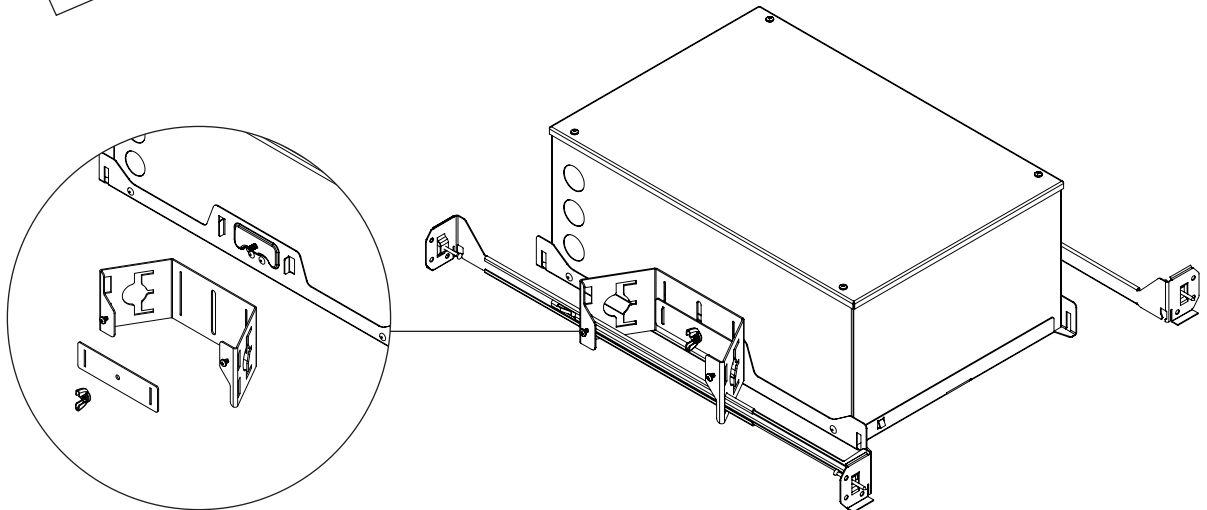
- ◆ **Standard hanger bars** provided secure the housing to ceiling joists or suspended ceiling frames (T-bars). Install the hanger bars in the frame slots, oriented as shown.
- ◆ **Butterfly brackets** secure the housing using C-channel or conduit. To install the brackets, removed the wingnut and lock plate, mount the brackets on the housing, then re-attach the lock plate and wing nut. Adjust the vertical position of the housing by sliding the bracket up or down. Tighten the wingnut to lock the vertical position.

## ◆ PREPARATION | Remove Knock-Out

- Remove knock-out(s) where needed with a flat-head screwdriver and hammer.



Hanger bars in the housing pan slots



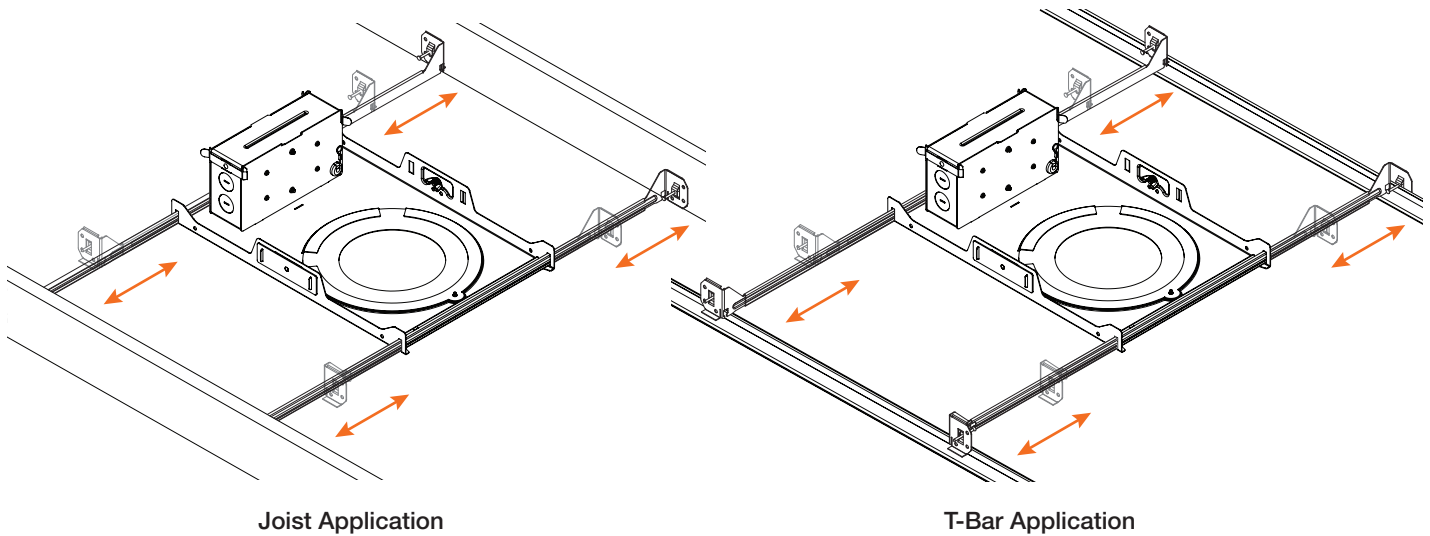
Butterfly Bracket

Butterfly bracket with hanger bars installed

## INSTALLATION

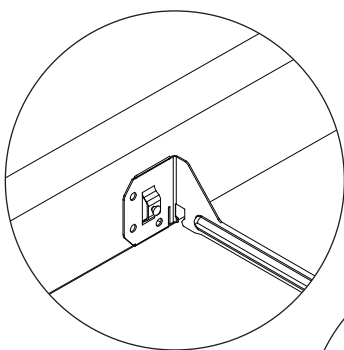
### ◆ STEP 1 | Hanger Bar Adjustment

- Adjust the hanger bars to fit between joists (For suspended ceiling, remove the required tile).

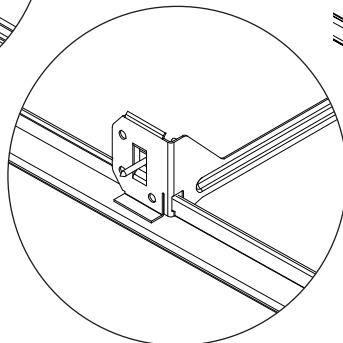


### ◆ STEP 2 | Secure Hanger Bars

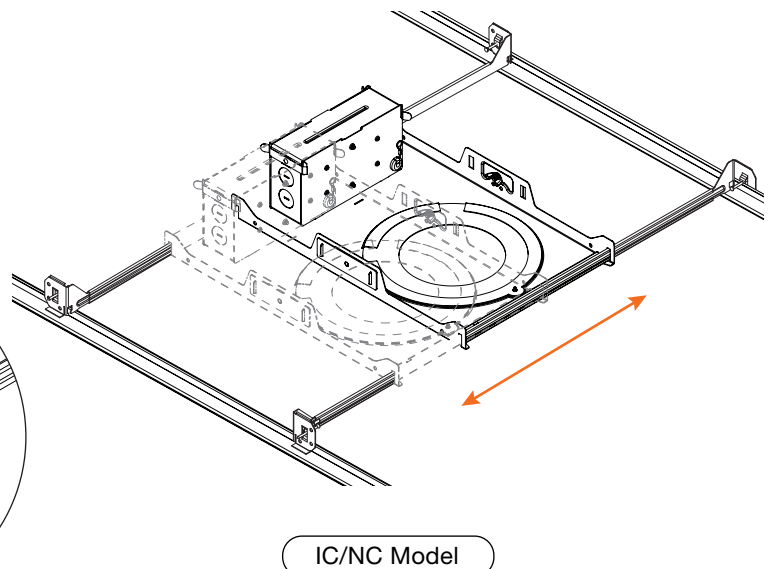
- For wood joists, Line up the bottom of the hanger bars to the bottom of the joists and nail the ends of the hanger bars to the joists.
- For suspended ceiling (T-Bar), Snap the hanger bars in place on the suspended ceiling T-Bar.



Wood



T-Bar

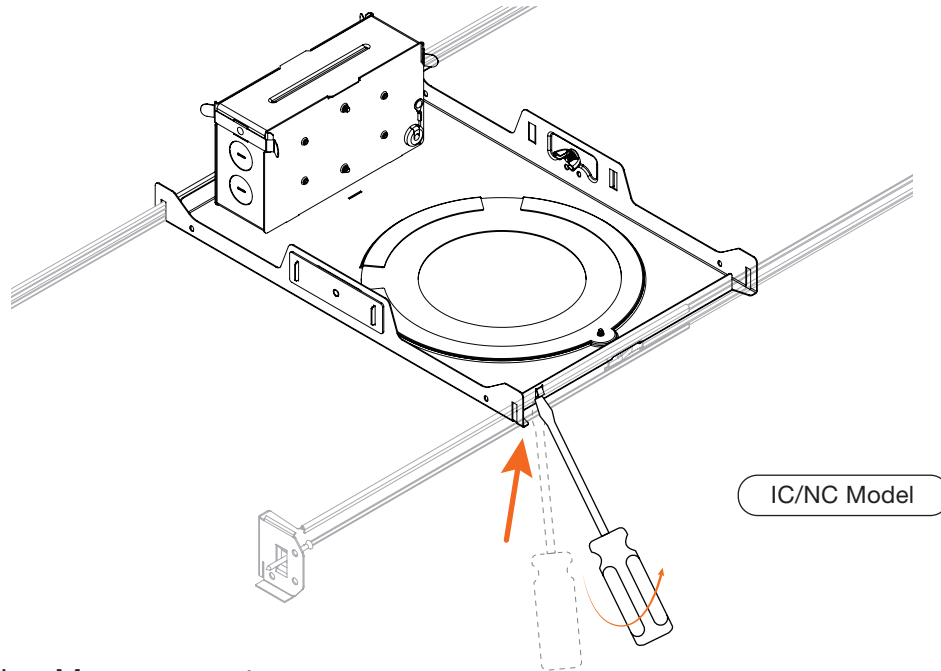


IC/NC Model

## INSTALLATION

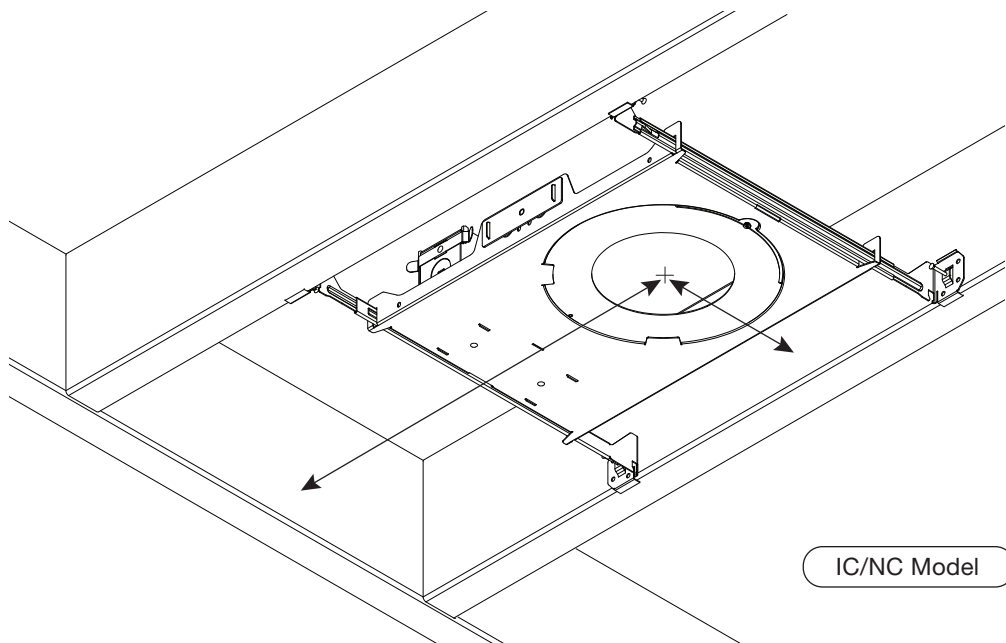
### ◆ STEP 3 | Secure System

- Slide the housing to the desired position and use a flat head screwdriver to tilt the locking tabs into the hanger bars until system is secure.



### ◆ STEP 4 | Position Measurement

- Measure and mark the location of the pan hole from wood joists/T-Bars.



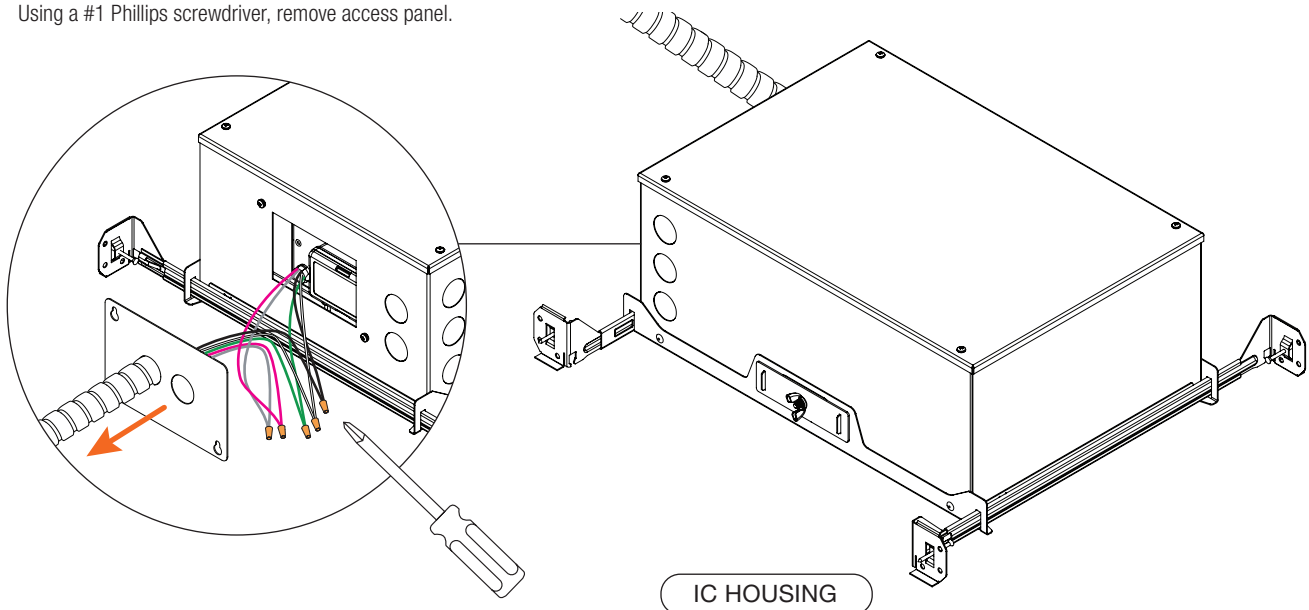
## INSTALLATION

### ◆ STEP 5-A | Electrical Connection

- If not already completed, use a flathead screwdriver and hammer to punch out knock-out(s).
- Remove Access panel.
- Using a UL listed conduit connector secure connector to the knock-out opening, passing supply wires through connector.
- Connect supply wires using approved wire nuts to the Driver using the wiring diagrams shown.
- Reattach access panel.

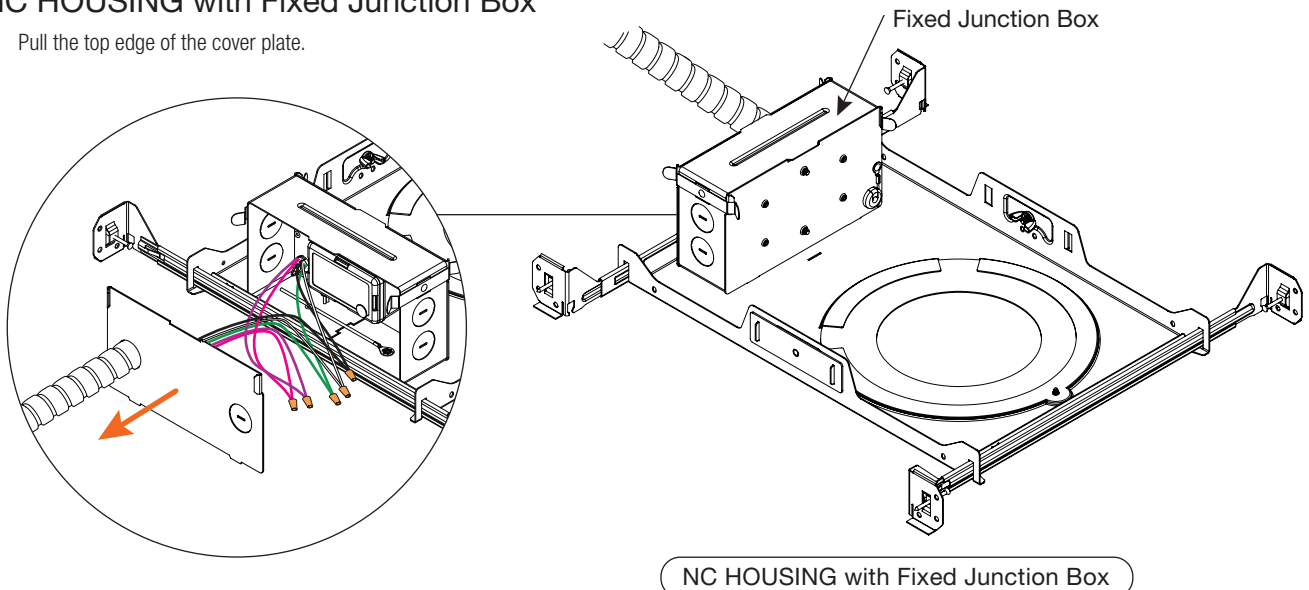
### IC HOUSING

- Using a #1 Phillips screwdriver, remove access panel.



### NC HOUSING with Fixed Junction Box

- Pull the top edge of the cover plate.

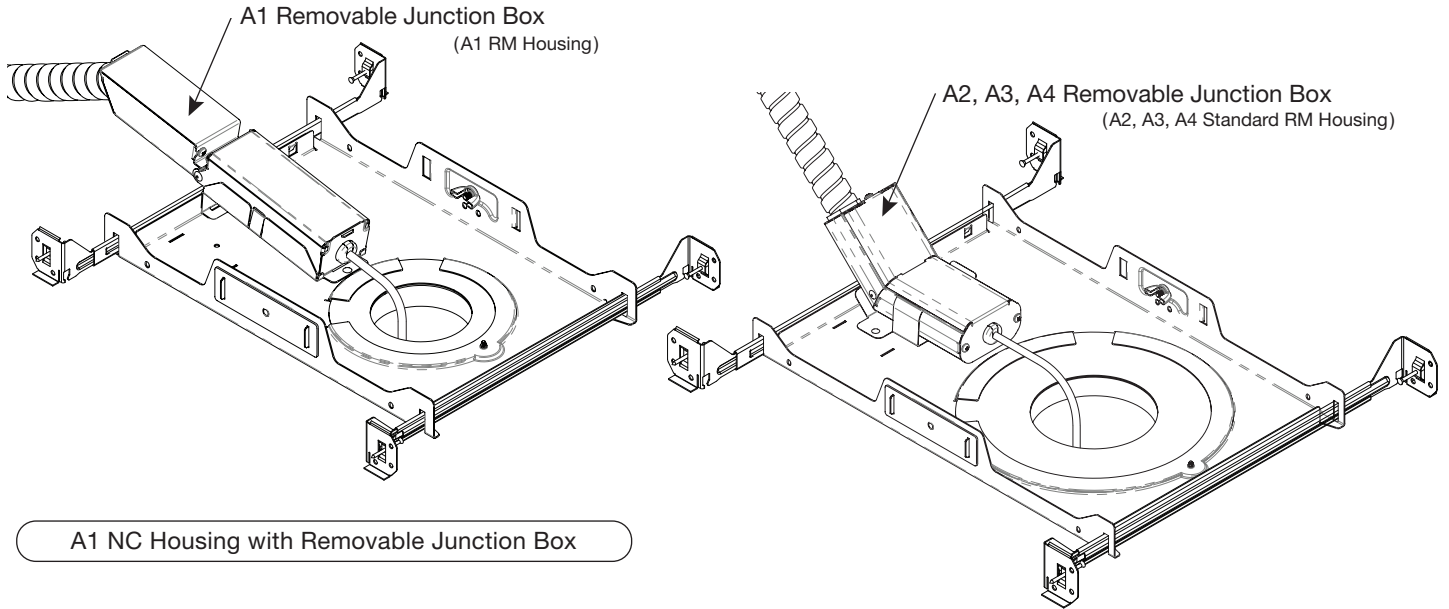


INSTALLATION

◆ STEP 5-A | Electrical Connection

NC HOUSING with Removable Junction Box

- Use RM Housing wiring diagram below and secure junction box in position on the NC plate.

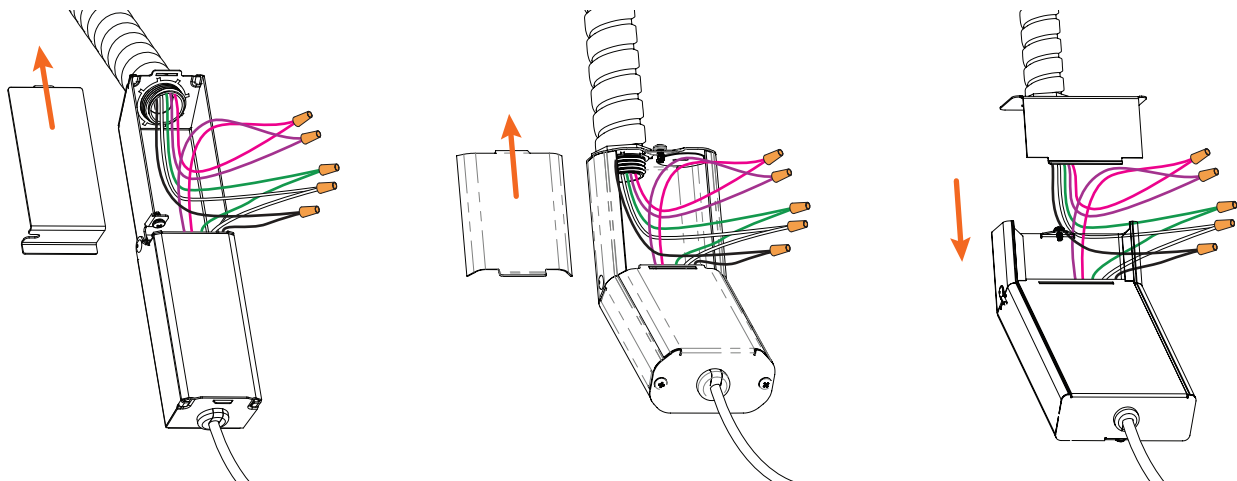


A1 NC Housing with Removable Junction Box

A2, A3, A4 NC Housing with Removable Junction Box

RM HOUSING

- After wiring, set junction box above ceiling with room for module installation.



A1 RM Housing

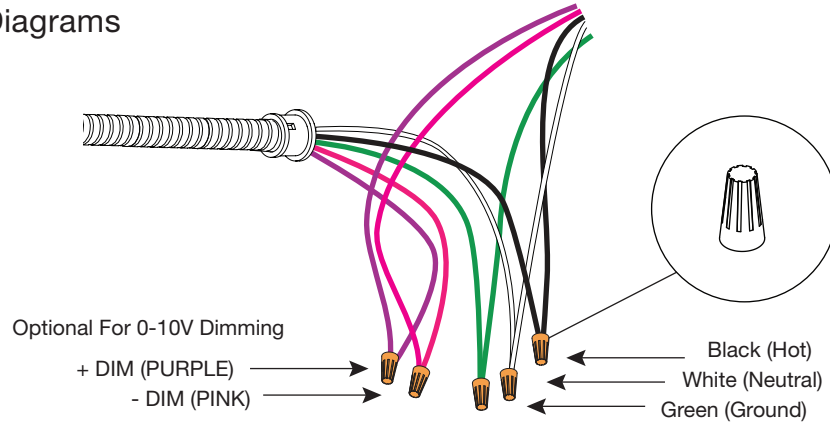
A2, A3, A4 Standard RM Housing

A3, A4 Alternate RM Housing



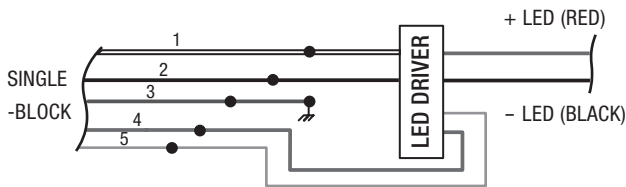
INSTALLATION

◆ STEP 5-B | Wiring Diagrams



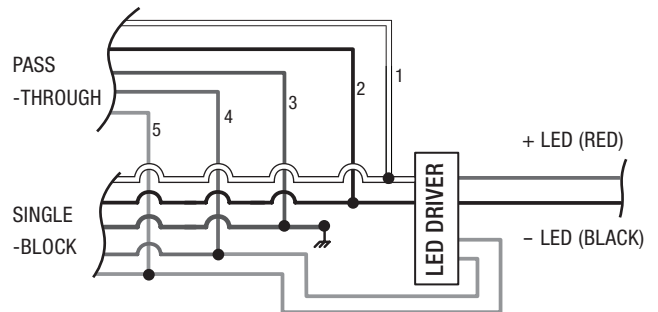
TRI-DIMMING

For Single-Block Connection



- 1/ NEUTRAL (WHITE)
- 2/ LINE (HOT) - (BLACK)
- 3/ GROUND (GREEN)
- 4/ + DIM (PURPLE)
- 5/ - DIM (PINK)

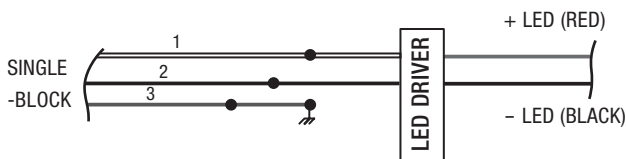
For Pass-Through Connection



- 1/ NEUTRAL (WHITE)
- 2/ LINE (HOT) - (BLACK)
- 3/ GROUND (GREEN)
- 4/ + DIM (PURPLE)
- 5/ - DIM (PINK)

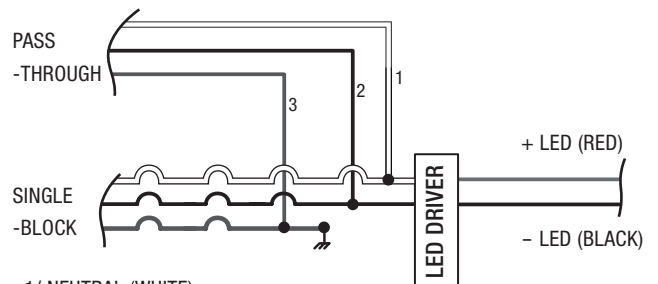
PHASE DIMMING ONLY

For Single-Block Connection



- 1/ NEUTRAL (WHITE)
- 2/ LINE (HOT) - (BLACK)
- 3/ GROUND (GREEN)

For Pass-Through Connection



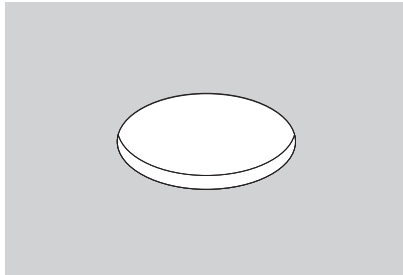
- 1/ NEUTRAL (WHITE)
- 2/ LINE (HOT) - (BLACK)
- 3/ GROUND (GREEN)

### INSTALLATION

#### ◆ STEP 6 | Ceiling Cutout + Installation

##### CEILING OR TILE INSTALLATION

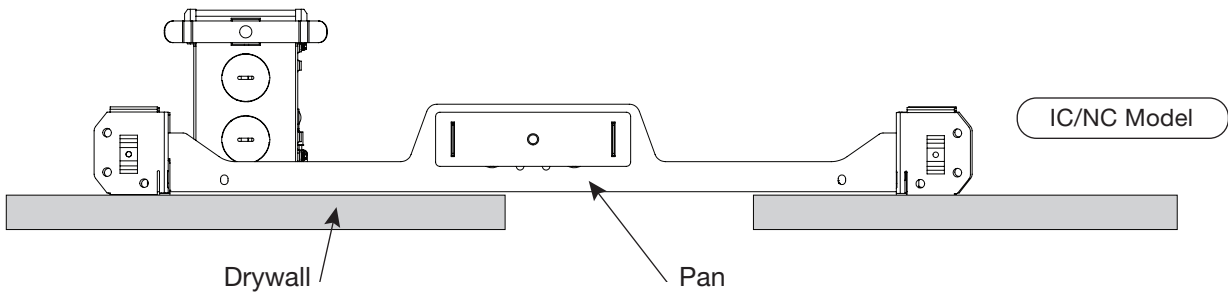
Consult the appropriate "Ceiling Cutout Table" below before cutting the ceiling or ceiling tile.



**Flanged Trim Ceiling Cutout Table  
(IC, NC, RM Housing)**

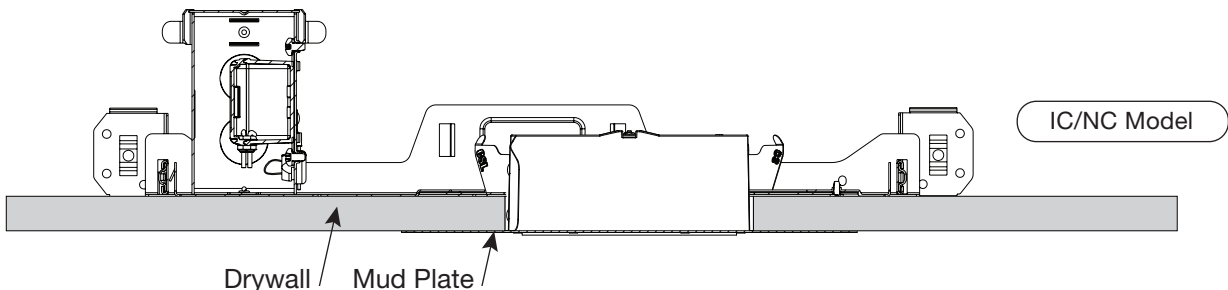
Model	1 Inch A1-IC, A1-NC, A1-RM	2 Inch A2-IC, A2-NC, A2-RM	3 Inch A3-IC, A3-NC, A3-RM	4 Inch A4-IC, A4-NC, A4-RM
Cutout Size Round	Ø 2½" (Ø 63 mm)	Ø 3½" (Ø 89 mm)	Ø 4½" (Ø 114 mm)	Ø 5½" (Ø 140 mm)
Cutout Size Square	2½" x 2½" (63 x 63 mm)	3½" x 3½" (89 x 89 mm)	4½" x 4½" (114 x 114 mm)	5½" x 5½" (140 x 140 mm)

- For square trims, ensure the housing opening is properly aligned, then tighten the lock screw to secure the position.
- Cut ceiling hole at the pre-measured location using a hole saw or speed router to the size indicated within the "Ceiling Cutout Table".
- Attach ceiling or tile ensuring the ceiling hole aligns with the luminaire opening.



##### COLLAR INSTALLATION FOR TRIMLESS MODELS

- Compress the spring clips against the collar body.
- Push the collar into the ceiling opening and into the Housing until mud plate is snug against the ceiling.
- Using a #2 Phillips screwdriver fasten mud-ring to ceiling using the 4X screws provided.
- Make sure the mud & paint mask is installed before mudding.
- With drywall knife apply mud to mud-ring up to the rim of the mud-ring. Ensure no mud goes beyond the rim. With a block sander smooth out bumps or unevenness. Repeat until ceiling is smooth.
- After painting ceiling, remove the mud & paint mask.

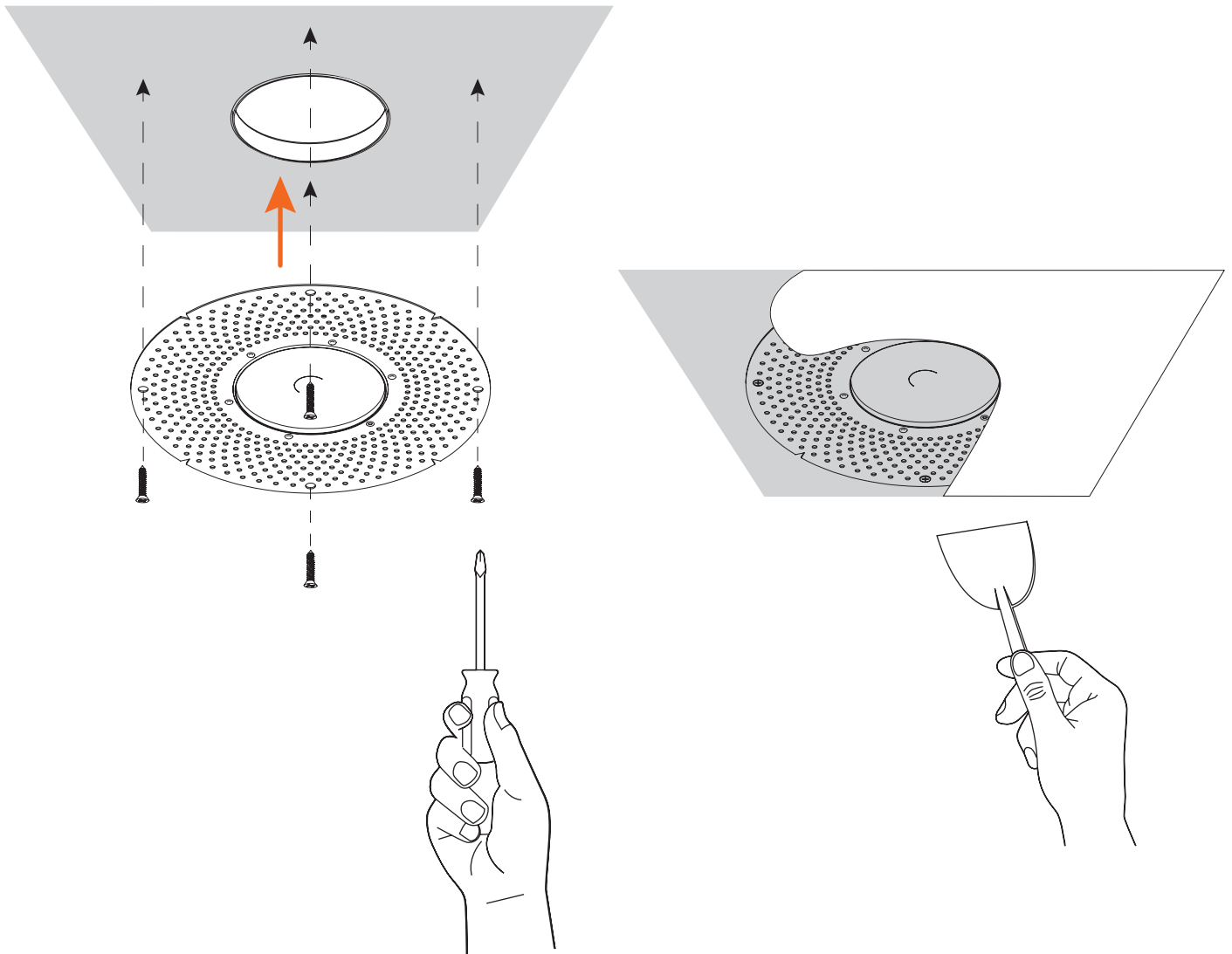


## INSTALLATION

## ◆ STEP 6 | Ceiling Cutout + Installation

## FOR TRIMLESS

- Make sure mud protector board is installed before mudding.
- With drywall knife apply mud to mud-ring up to the rim of the mud-ring. Ensure no mud goes beyond the rim. With a block sander smooth out bumps or unevenness. Repeat until ceiling is smooth.
- Paint ceiling and after paint is fully dry remove the mud protector board.
- Remove mud guard from mud ring.

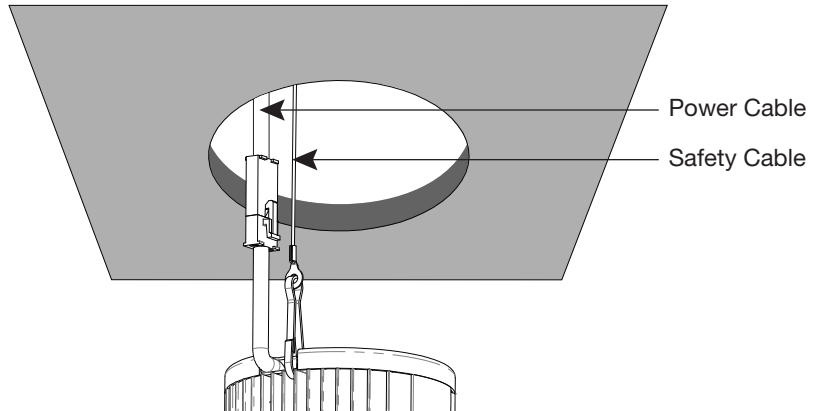


### INSTALLATION

#### ◆ STEP 7-A | Module Connection

##### ◆ Connect the module to the driver (A1, A2, A3, A4 Systems)

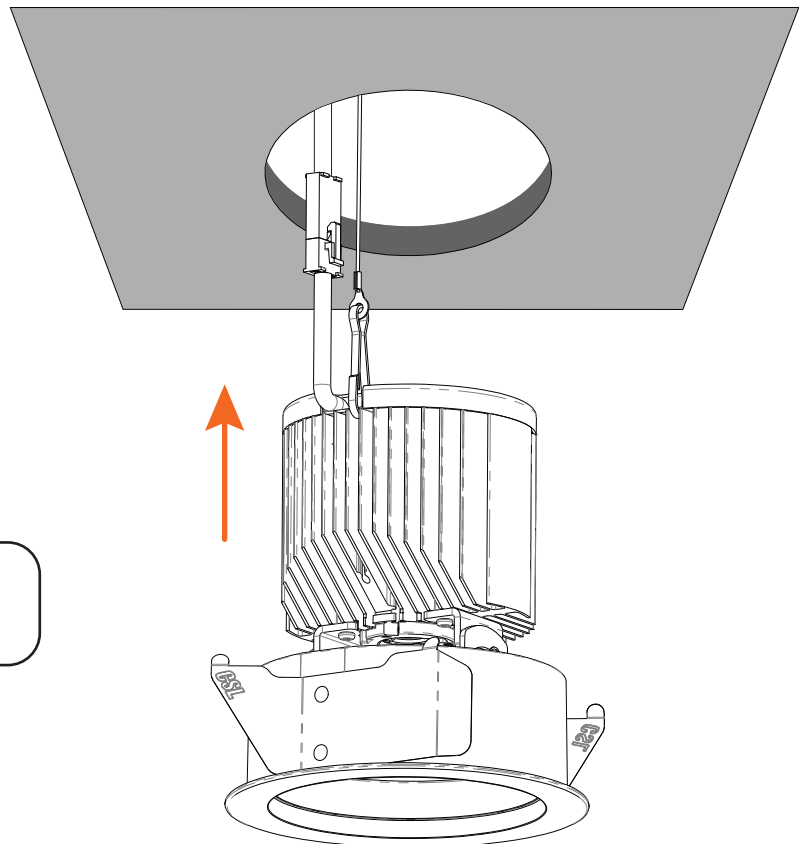
- Ensure the module is set at 0 deg tilt (fully vertical).
- Pull the driver power connector and safety cable through the ceiling opening.
- Connect the safety cable hook to the module.
- Connect the power cable to the module.



#### ◆ STEP 7-B | Module Installation (Standard Trim)

##### ◆ Standard Trim (A2, A3, A4 Systems)

- Compress the spring clips against the collar body.
- Push the collar into the ceiling opening and into the Housing until the trim flange is snug against the ceiling.
- For **A1 System** skip ahead to **STEP 7-D**



**Tip:** On Round collars, once the flange is snug against the ceiling, rotate the collar counter clockwise in the ceiling for a more secure lock.

Standard Trim Install

INSTALLATION

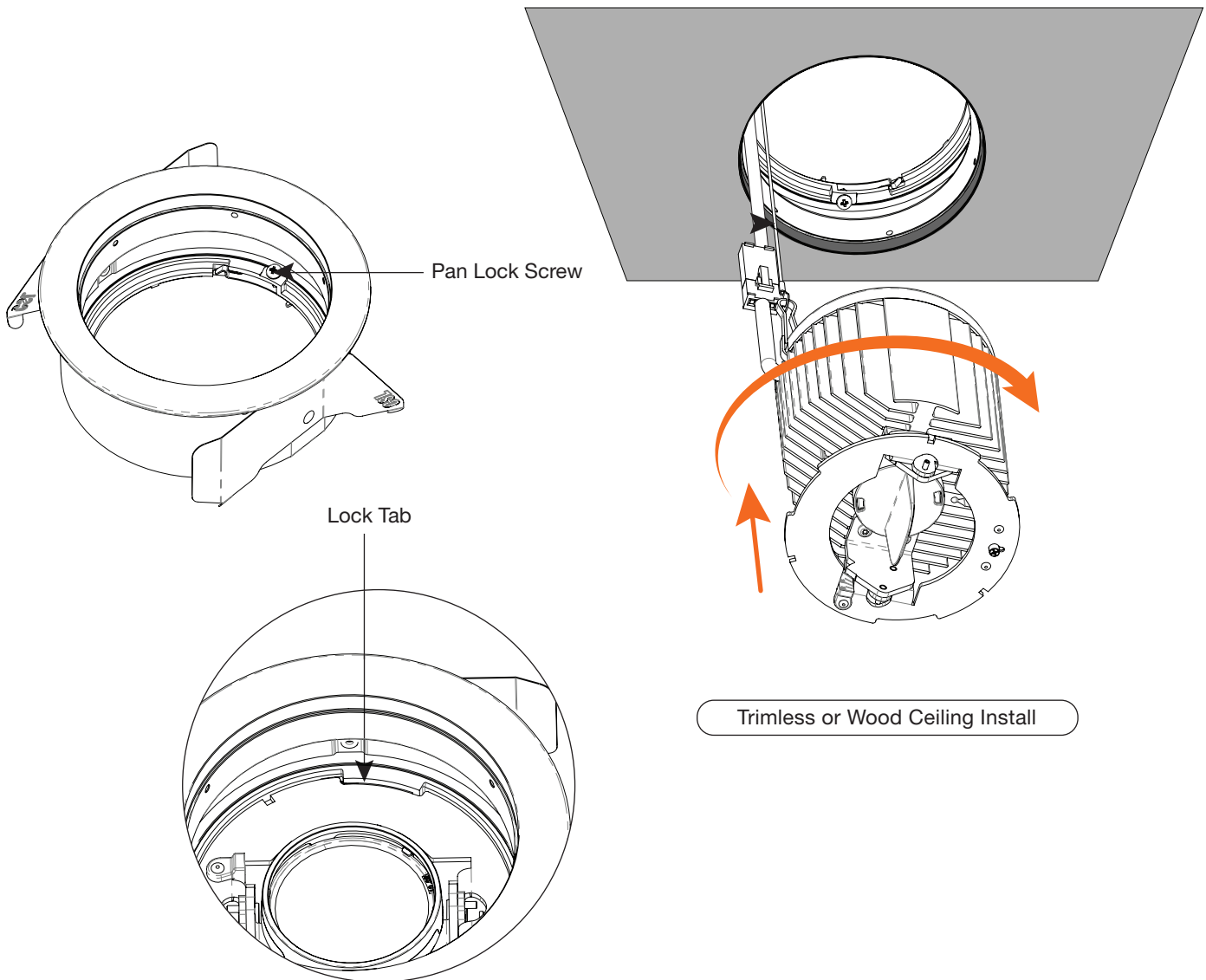
◆ STEP 7-C | Module Installation (Trimless)

◆ Trimless and Wood Ceiling (A2, A3, A4 Systems)

- Verify the pan ring in the collar is locked. The lock screw should be tight.
- Attach the install tool to the module by aligned the tabs on the install tool with the slots on the module, then push and rotate the tool clockwise.
- Align the tabs on the module plate with the slots in the collar, then push and rotate clockwise until you feel the module lock into place.
- Rotate the install tool anti-clockwise, making sure that the module remains locked in place and only the install tool rotates out.

◆ Trimless and Wood Ceiling (A1 System)

- Align the module with the collar and push straight up until locked into position.



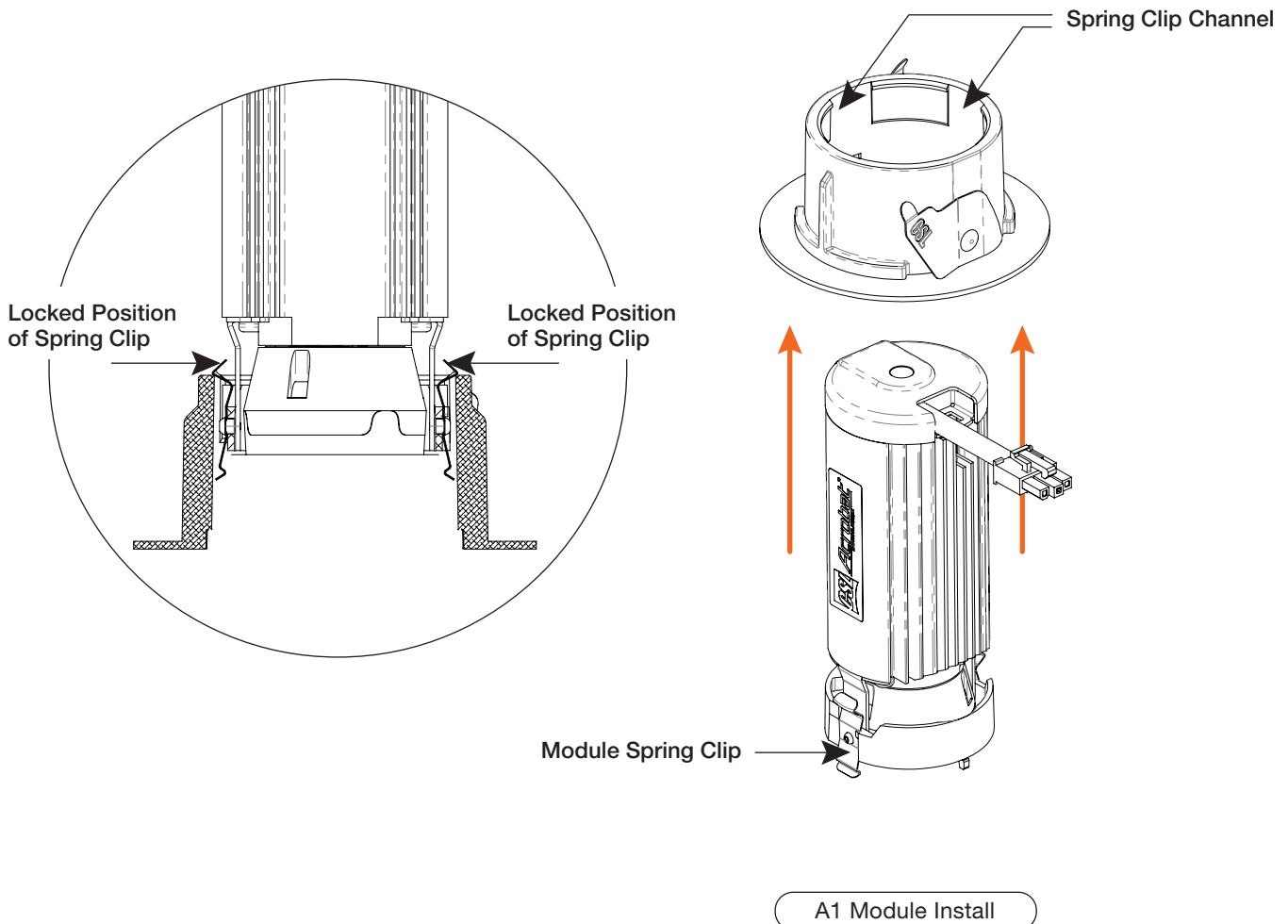
## INSTALLATION

### ◆ STEP 7-D | Module Installation (A1 Module)

#### Module Installation (A1 System)

- Align the Module spring clips with the gaps on the collar.
- Push the Module up in to the collar until the module Spring Clips snap over the top edge of the collar.

**Tip:** On Round collars, once the flange is snug against the ceiling, rotate the collar counter clockwise in the ceiling for a more secure lock.



### INSTALLATION

#### ◆ STEP 8 | Optic and Media Installation or Replacement

Acrobat Downlights ship with your choice of optic installed. If ordered, alternate optics and media will be included with the shipment and will need to be installed.

##### Removing Installed Optic

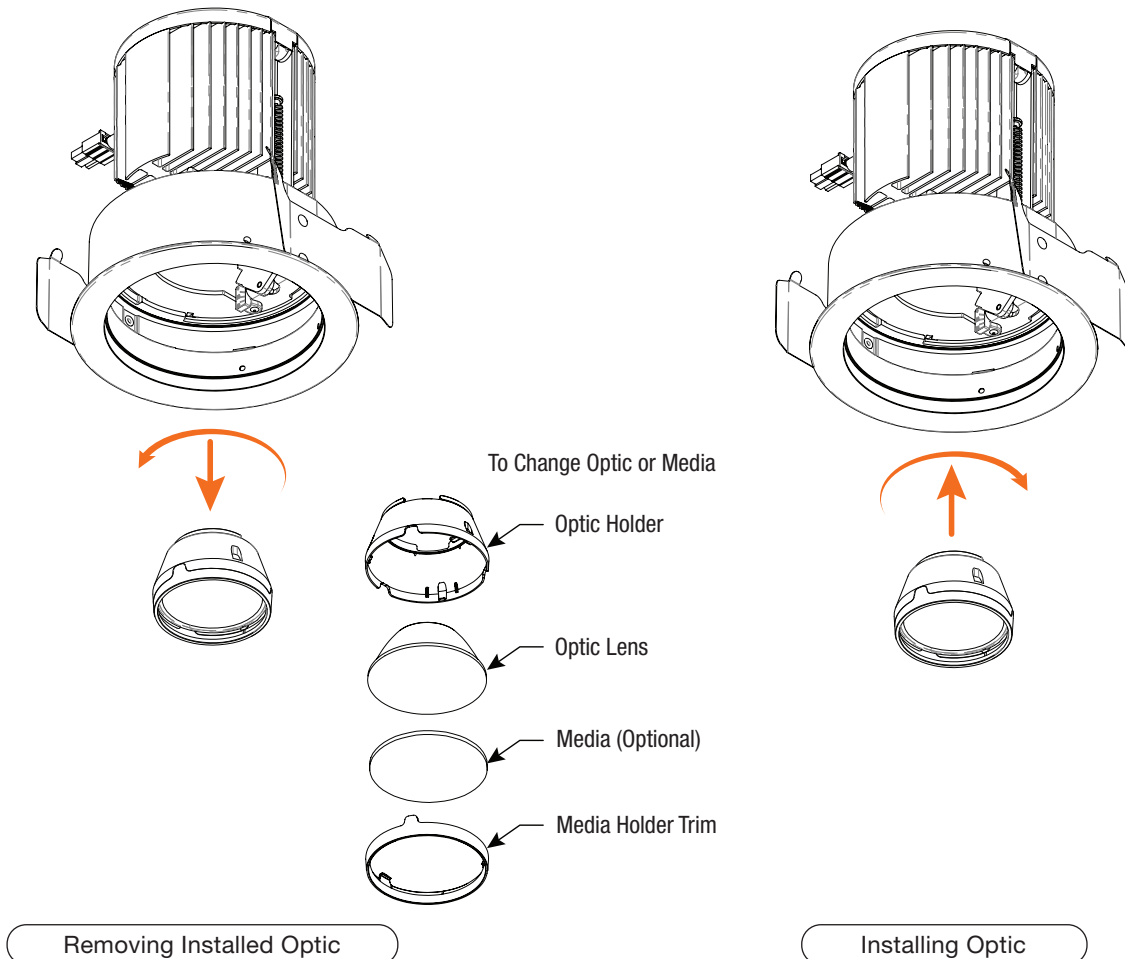
- Remove Optic Holder, and using Optic Installation Tool, snap tool over Optic.
- Rotate counterclockwise and pull-out Optic from Luminaire.

##### Installing Optic

- Reattach Optic Holder if necessary.
- Aligning the tabs on the Optic to the slots on the module, push and rotate the Optic clockwise securing the Optic to the module.

##### Adding Media

- Remove the Optic using the steps listed above.
- Place the desired Media within the Media Holder Trim, then snap the Media Holder Trim to the Optic Holder.
- Holding the Media Holder re-attach Optic to luminaire.



## INSTALLATION

## ◆ STEP 9 | Light Beam Adjustment &amp; Reflector Installation

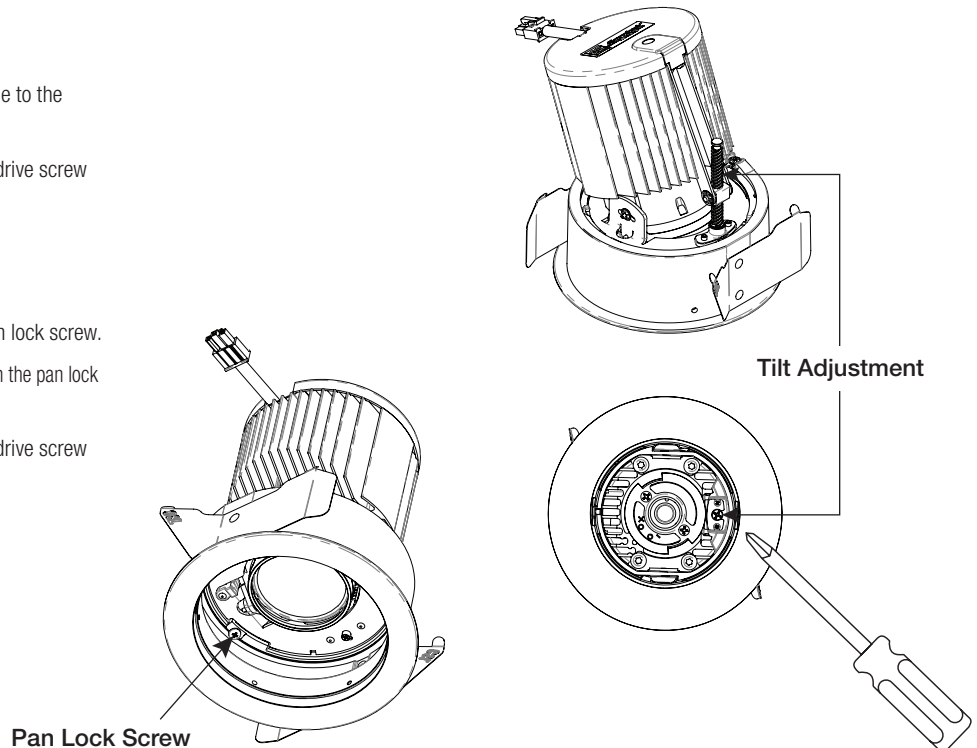
## Light Beam Adjustment (Pan &amp; Tilt)

## ◆ A1 system

- Pan** • Holding the module base plate, pan the module to the desired position.
- Tilt** • Using a #1 Phillips screwdriver, rotate the tilt drive screw until reaching the desired position.

## ◆ A2, A3, A4 systems

- Pan** • Using a #1 Phillips screwdriver, loosen the pan lock screw.
  - Pan the system to the desired position, then tighten the pan lock screw.
- Tilt** • Using a #1 Phillips screwdriver, rotate the tilt drive screw until reaching the desired position.
  - Use the tilt indicator to verify tilt angle.



## Reflector Installation

- Push the reflector up until it snaps into position.

